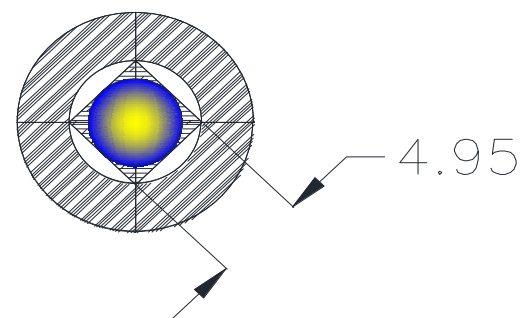
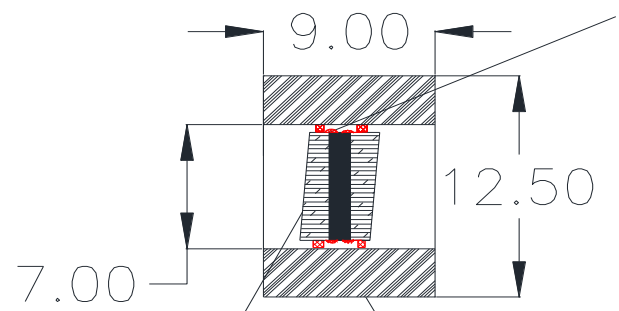


REVISIONS				
ECN	LTR	DESCRIPTION	PREPARED	APPROVED
	A			



FARADAY ROTATOR



WEDGE

MAGNET RING

UNIT: MM

NOTES/SPECIFICATIONS:

- CENTER WAVELENGTH: 1908NM
- TUNING RANGE: 1903-1913NM
- OPERATING RANGE: 1903-1913NM
- PHYSICAL APERTURE: 7.0MM
- MAX BEAM DIAMETER: 4.95MM
- TRANSMISSION: 90% MIN. @ 1908NM
- ISOLATION: 30 DB MIN. @ 1908NM
- POLARIZATION INSENSITIVE
- MAX POWER DENSITY 250W/CM2
- CENTER WAVELENGTH 1750, 1850, 1890, 1900, 1930, 1950, 2000, 2050, 2100, 2150, 2300 AVAILABLE ON REQUEST
- PHYSICAL APERTURE 0.9-11MM AVAILABLE
- POLARIZATION DEPENDENT TYPE AVAILABLE

	DRAWN: Steven Zhu	TITLE: 1908NM POLARIZATION INSENSITIVE SINGLE STAGE ISOLATOR		
	CHECKED: Alan Peng	SIZE: A4		
Unless Otherwise Specified General Tolerance Requirement. All Dimensions Are in Metric TOLERANCES UNIT: INCH .XX±0.01 .XXX±0.005 UNIT: MM .X±0.10 .XX±0.015 SURFACE ROUGHNESS 0.8 ✓ ANGLULAR ±0.5	APPROVED: [Signature] MATERIAL: Qty.	THE INFORMATION CONTAINED IN THIS DRAWING IS THE SOLE PROPERTY OF OPNETI COMMUNICATION CO. ANY REPRODUCTION IN PART OR AS A WHOLE WITHOUT THE WRITTEN PERMISSION OF OPNETI IS PROHIBITED. SCALE: N.T.S. DWG. No. IS-23-1908 REV. A Sheet 1 of 1		
Third Angle Projection Break All Burrs And Sharp Edges				